

DATA SHEET | SERIES RS-OB OB-ROUND WELD PAD STYLE SIGHT GLASS

OB-ROUND WELD PAD SIGHT GLASSES SERIES RS-OB |

Series RS-OB rectangular ob-round sight glasses are manufactured from ASME Section VIII acceptable metals. The lower flange can be supplied thicker if required to reinforce the vessel opening or curved to match the vessel's geometry. Standard lengths are listed with special sizes quoted upon request. The Series RS-OB is recommended for pressures up to 150 PSIG (14.3 Barg) and temperatures to 500°F (260 °C). Higher temperatures and pressures available with special gasket and lens materials.

ASME code calculations and any resulting additional material needed to reinforce sight glass opening to meet ASME code is the responsibility of the buyer.

DESIGN CONDITIONS:

Pressure: Standard size are listed with special sizes available. Recommended for pressures & temperatures up to 150 PSIG and 500°F (260°C). Consult factory for details or higher operating conditions.

Temperature: Standard Max. Temperature is 500°F with compatible glass and gaskets. For higher ratings Fused Quartz may be used with a graphite gasket.

STANDARD MATERIALS OF CONSTRUCTION:

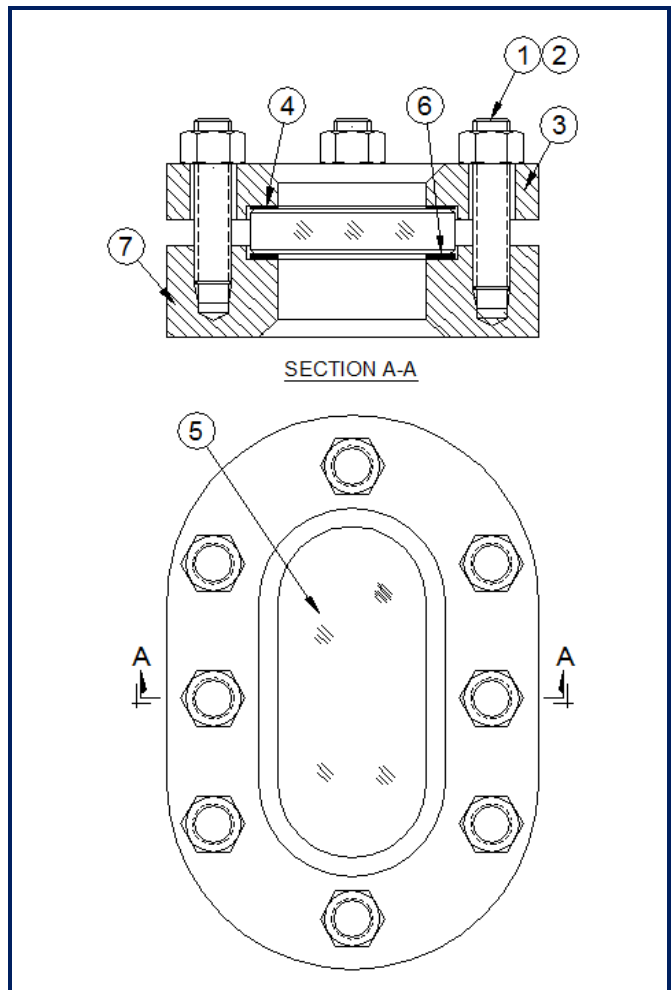
Item	Description	Material
1, 2	Lower Flange, Lens Retainer	A516 Gr70 Carbon Steel SA240 T304/304L Stainless Stl SA240 T316/316L Stainless Stl Other upon request
3	Lens:	Tempered Borosilicate ≤ 500°F Fused Quartz [plain style only] >500°F Lexan/Acrylic [plain style only] ≤ 200°F
4	Seal Gasket	EPDM Elastomer [300°F Max] Expanded PTFE [500°F Max] Fluoroelastomer [400°F Max] Graphite [>500°F] Other upon request
5	Cushion	Non-Asbestos Fiber, or Other
6	Stud	A193 B7, A193 B8 or Other
7	Hex Nut	A194 2H, A194 Gr8 or Other

OPTIONAL ACCESSORIES:

- a. Various Illuminators.
- b. Radius on weld pad to match tank geometry.



SERIES RS-OB - OB-ROUND WELD PAD STYLE SIGHT GLASS

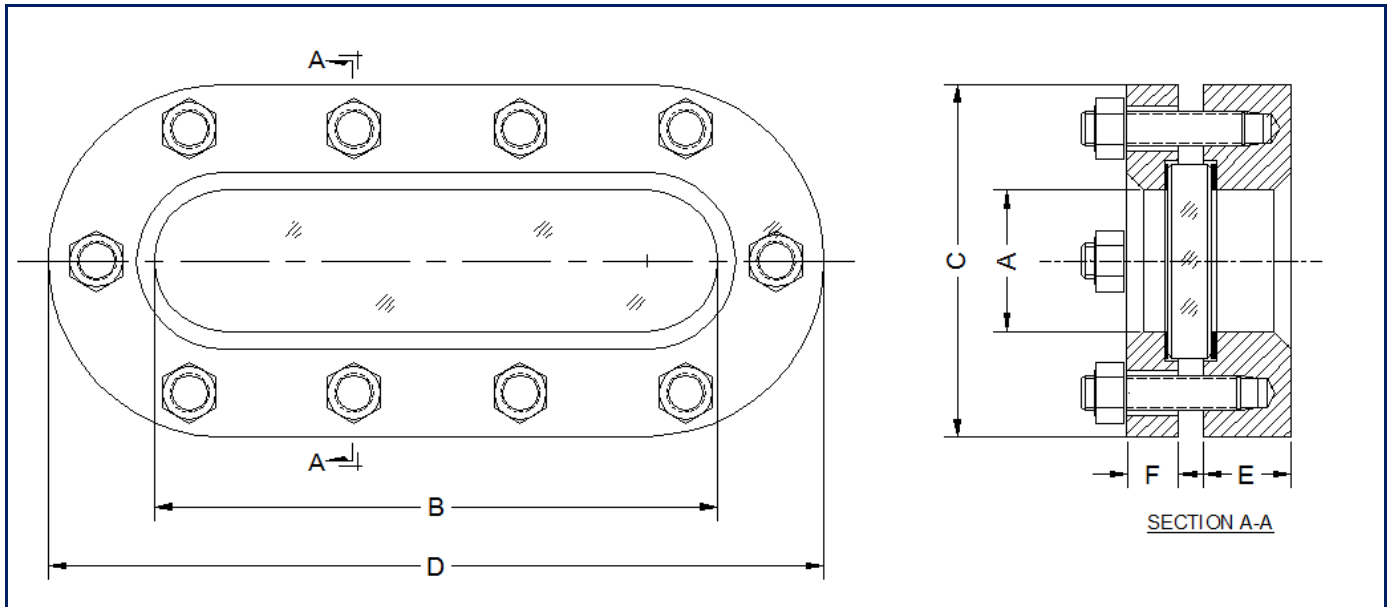


SERIES RS-OB OB-ROUND SIGHT GLASS CROSS SECTION

DOCUMENTATION:

- a. Certified Mill Test Report for weld pad (standard)
- b. Certified Mill Test Report for lens retainer (option)
- c. Certified Mill Test Report for fasteners (option)
- d. Certificate of Conformance (option)
- e. ASME code calculations (option)

DATA SHEET | SERIES RS-OB OB-ROUND WELD PAD STYLE SIGHT GLASS



Dimensions

Model	A		B		C		D		E		F		Weight	
	Inch	MM	Inch	MM	Inch	MM	Inch	MM	Inch	MM	Inch	MM	Lbs	Kgs
2X12	2	51	12	305	5	127	15	381	1¼	32	¾	19	36	16
2X18	2	51	18	457	5	127	21	553	1¼	32	¾	19	47	21
3X12	3	76	12	305	6	152	16	406	1¼	32	⅞	22	47	21
3X18	3	76	18	457	6	152	22	559	1¼	32	⅞	22	58	26
4X12	4	102	12	305	7	178	17	432	1¼	32	1	25	58	26
4X18	4	102	18	457	7	178	23	584	1¼	32	1	25	70	32

ORDERING INFORMATION:

--	--	--	--	--	--

Part #/Size:

RS-OB/2X12
 RS-OB/2X18
 RS-OB/3X12
 RS-OB/3X18
 RS-OB/4X12
 RS-OB/4X18
 Other Specify
 Size

Weld Pad:

CS - SA516 Gr70
 304 - 304/304L SST
 316 - 316/316L SST
 C22 - Alloy C22
 C276 - Alloy C276
 A20 - Alloy 20
 Other - Specify

Lens Retainer:

CS - SA516 Gr70
 304 - 304/304L SST
 316 - 316/316L SST
 C22 - Alloy C22
 C276 - Alloy C276
 A20 - Alloy 20
 Other - Specify

Lens:

TSL - Tempered Soda Lime
 TBS - Tempered Borosilicate
 QTZ - Fused Quartz
 ACR - Cast Acrylic
 LEX - Polycarbonate
 Other - Specify

Seal Gasket:

EPDM - EPDM
 TFE - ePTFE
 FKM - Viton/FKM
 SIL - Silicone
 NEO - Neoprene
 GPH - Graphite
 Other - Specify

Option:

R-X" - Machined
 Radius in weld
 Pad [Specify in
 inches]
 Other - Specify

Notes:

- ASME code calculations and any resulting additional material needed to reinforce sight glass opening to meet ASME code is the responsibility of the buyer.
- Sample Part #: RS-OB/2X12/304/304/TBS/TFE/R16 - Series RS-OB/2X12, 2" Wide nx 12" Long Ob-Round view weld pad style sight glass with 304/304L stainless steel weld pad and lens retainers. Reflex Style Tempered Borosilicate Glass Lens, Expanded PTFE Seal Gasket. Weld Pad machined to match a cylindrical vessel with a 16" radius.

J.G PAPAIIAS CO., INC

245 Pegasus Ave., Northvale, NJ 07647
 Tel: 201-767-4027 www.papailias.com

